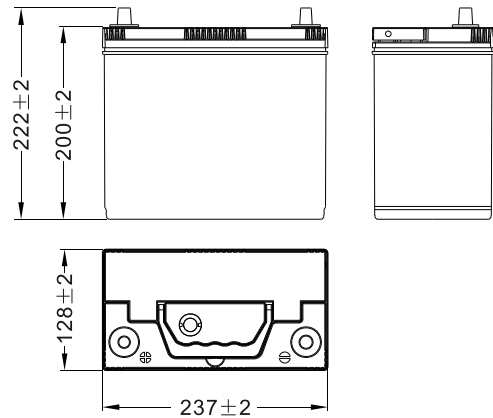


Koyama®

32C24R(N40)-MF-12V40AH



Dimensions (mm)



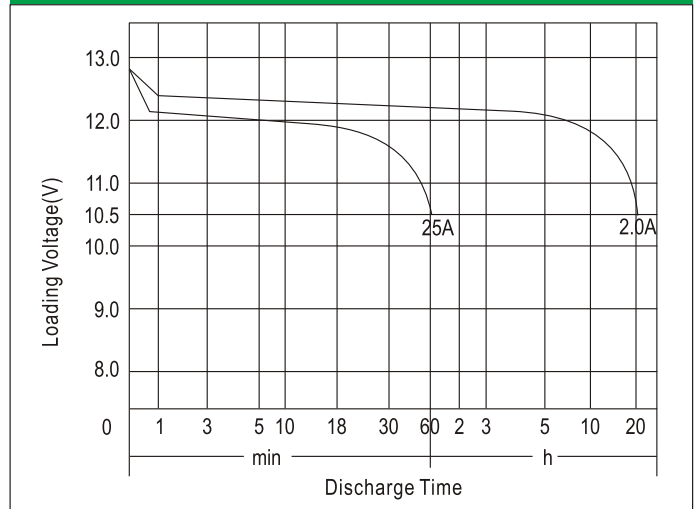
Physical Specification (mm)

Nominal Voltage		12V
Nominal Capacity(20HR)		40Ah
Dimension	Length	237 ± 2mm(9.33inches)
	Width	128 ± 2mm(5.04inches)
	Container Height	200 ± 2mm(7.87inches)
	Total Height(with Terminal)	222 ± 2mm(8.74inches)
Weight		Approx 11.5Kg(25.4lbs)
Acid		1.280 ± 0.015g/cm ³ (25°C)
Standard Terminal		3
Cell layout		1
Hold-Down		N
Cell plate qty		/
Case		Black-Material
Cover		Black-Material
Handle		Black-Material
QTY/PLT/layer		

Electrical Specification

Rated Capacity	20 hour rate(2.0A)	40Ah
Reserve Capacity		61min
Cold Cranking Performance Amps@0°F(-18°C)		350A

Discharge Characteristics(25°C,70°F)



Standard Terminal (mm) Cell Layout

Terminal Type	D	
	Positive	Negative
3	14.7 ⁰ _{-0.3}	13.0 ⁰ _{-0.3}

Figure(1)

Discharge Characteristics(-18°C,0°F)

